

SANDELL'S TERMINATION BARS

Product Name:
Sandell's Termination Bar

Product Description:
Sandell's Termination Bar is used to secure flashing in place by means of an existing back up wall or support.

Use:
Used to improve flashing applications, Sandell's Termination Bar reinforces flashing by mechanically securing it to the substrate. Through the use of self tapping screws, the flashing is thereby fastened to the structure for horizontal applications.

Composition:

- ❖ ABS (Acrylonitrile butadiene styrene) Plastic
- ❖ Stainless Steel
- ❖ Aluminum

Available Sizes:

- ❖ 1/8" x 1" x 10'

- ❖ Pre-drilled holes in Stainless Steel and Aluminum
- ❖ Available with or without caulk tray

Warranty:
Sandell's Termination Bar carries a manufacturer's warranty of material specification compliance.

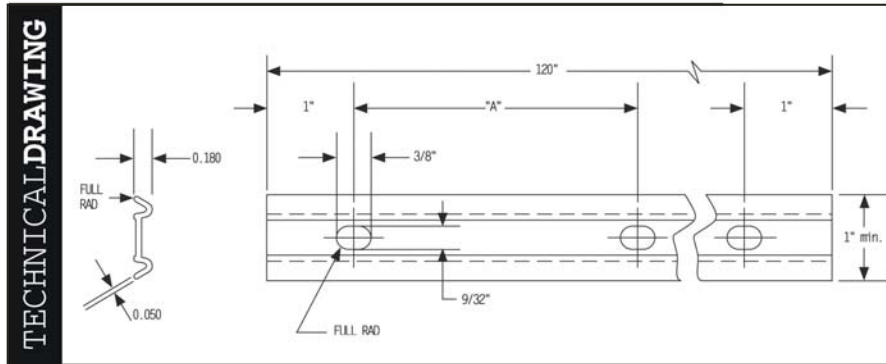
Maintenance:
Sandell's Termination Bar should not require maintenance if installed in accordance with Sandell specifications and instructions.

TECHNICAL ASSISTANCE:
Call Sandell directly for technical assistance or product questions:
New York: 800.283.3888
Alabama: 877.726-3355
Wisconsin: 800.323-3565

 www.sandellmfg.com

Available Profiles:

TB-50 Aluminum Termination Bar -



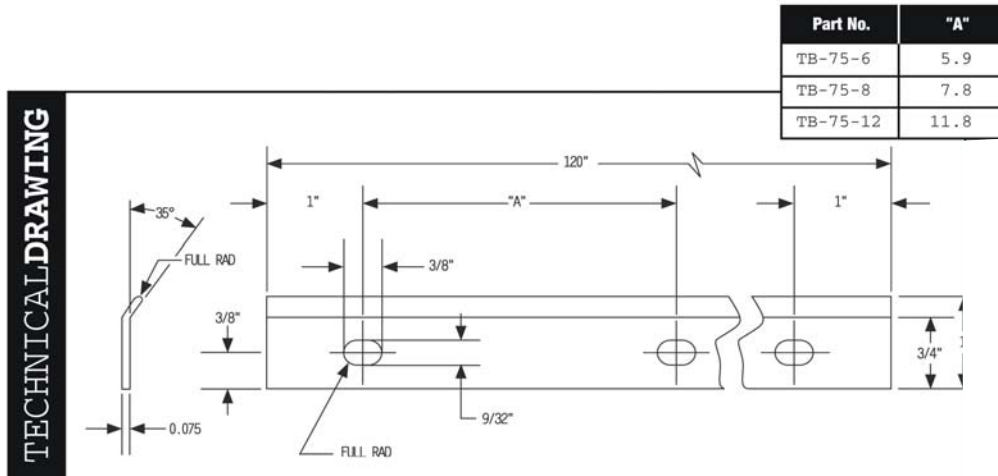
Part No.	Thickness*	Width*	Length*	Hole Size	Holes On Center	Pieces/Tube	Weight/Tube
TB-50-8	.050"	1"	10'	1/4 x 3/8"	8"	50	45#

CORPORATE OFFICE
NEW YORK
Toll Free: 800-283-3888
Fax: 518-357-9757

BRANCH OFFICE
ALABAMA
Toll Free: 877-SANDELL
Fax: 205-263-1033

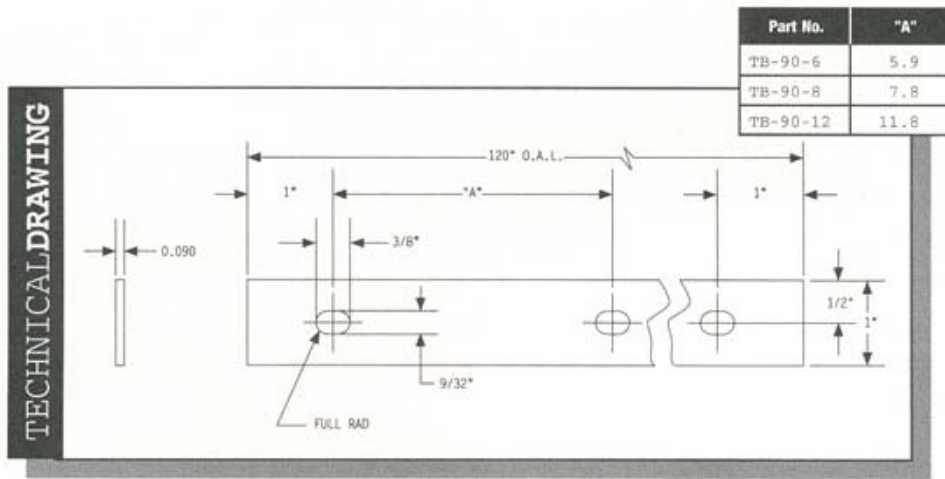
BRANCH OFFICE
WISCONSIN
Toll Free: 800-323-3565
Fax: 414-764-6993

TB-75 Aluminum Termination Bar -



Part No.	Thickness*	Width*	Length*	Hole Size	Holes On Center	Pieces/Tube	Weight/Tube
TB-75-6	.075"	1"	10'	1/4 x 3/8"	6"	50	51#
TB-75-8	.075"	1"	10'	1/4 x 3/8"	8"	50	51#
TB-75-12	.075"	1"	10'	1/4 x 3/8"	12"	50	51#

TB-90 Aluminum Termination Bar -



Part No.	Thickness*	Width*	Length*	Hole Size	Holes On Center	Pieces/Tube	Weight/Tube
TB-90-6	.090"	1"	10'	1/4 x 3/8"	6"	50	57#
TB-90-8	.090"	1"	10'	1/4 x 3/8"	8"	50	57#
TB-90-12	.090"	1"	10'	1/4 x 3/8"	12"	50	57#

CORPORATE OFFICE
NEW YORK
Toll Free: 800-283-3888
Fax: 518-357-9757

BRANCH OFFICE
ALABAMA
Toll Free: 877-SANDELL
Fax: 205-263-1033

BRANCH OFFICE
WISCONSIN
Toll Free: 800-323-3565
Fax: 414-764-6993



TECHNICAL DATA SHEET

Amendments / Notes:

Sandell Employee:

Date

CORPORATE OFFICE
NEW YORK
Toll Free: 800-283-3888
Fax: 518-357-9757

BRANCH OFFICE
ALABAMA
Toll Free: 877-SANDELL
Fax: 205-263-1033

BRANCH OFFICE
WISCONSIN
Toll Free: 800-323-3565
Fax: 414-764-6993