

## SANDELL'S RUBBER & PVC CONTROL JOINT

**Product Name:**

Sandell's Rubber & PVC Control Joint

**Product Description:**

Sandell's Rubber and PVC Control Joint products are used to relieve horizontal tensile stresses. They reduce restraints and permit movement to take place within the joint. They are designed to be used with standard sash block and other masonry wall materials.

**Composition:**

❖ **Rubber**

Manufactured from a high grade synthetic rubber compound with a durometer hardness of 80 Shore A when tested in conventional ASTM-D2240 test methods.


❖ **PVC**

Manufactured from a flexible PVC compound, conforming to ASTM D-2287-654. It is in compliance with durometer hardness of 80+ when tested.

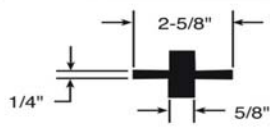
**TECHNICAL ASSISTANCE:**

Call Sandell directly for technical assistance or product questions:

- New York: 800.283.3888
- Alabama: 877.726-3355
- Wisconsin: 800.323-3565

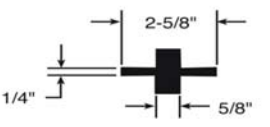
 [www.sandellmfg.com](http://www.sandellmfg.com)

SANDELL'S RUBBER & PVC CONTROL JOINT



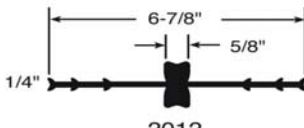
**2010**  
COLOR: BLACK  
1/4 SCALE

**AVAILABLE IN:**  
RUBBER



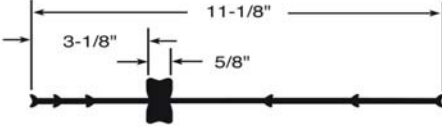
**2011**  
COLOR: BLACK  
1/4 SCALE

**AVAILABLE IN:**  
PVC



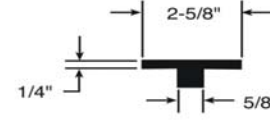
**2012**  
COLOR: BLACK  
1/4 SCALE

**AVAILABLE IN:**  
RUBBER & PVC



**2013**  
COLOR: BLACK  
1/4 SCALE

**AVAILABLE IN:**  
RUBBER & PVC



**2014 TEE**  
COLOR: BLACK  
1/4 SCALE

**AVAILABLE IN:**  
RUBBER & PVC

Amendments / Notes:

|  |
|--|
|  |
|  |
|  |
|  |

Sandell Employee: \_\_\_\_\_

Date: \_\_\_\_\_

**CORPORATE OFFICE**  
NEW YORK  
Toll Free: 800-283-3888  
Fax: 518-357-9757

**BRANCH OFFICE**  
ALABAMA  
Toll Free: 877-SANDELL  
Fax: 205-263-1033

**BRANCH OFFICE**  
WISCONSIN  
Toll Free: 800-323-3565  
Fax: 414-764-6993